

China PEOPLE pneumatic component

Pneumatic valve , Solenoid valve , Pneumatic component , China Pneumatic, Cylinders



World Machine 500 / China Top 500 / China Famous Trademark / China Top Brand

- PEOPLE Pneumatic
- Product
- Valves
- Cylinder
- Pneumatic Component
- Air Preparation
- Pneumatic accessories
- News
- Tech Support
- Contact Us

AC2010 5010 Air Combination

S Series Air Treatment Component > AC2010 5010 Air Combination



AC2010 5010 Air Combination 's PDF file

Order code for AC2010 5010 Air Combination



AC

Model

2010

Rated flow(L/min)
2010:500
3010:1700
4010:3000

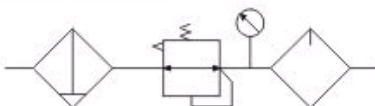
01

Port Size
01:1/8 "
02:1/4 "
03:3/8 "
04:1/2 "
06:3/4 "

D

Drain Type:
Blank: Manual drain
D: Automatic drain

Symbol for AC2010 5010 Air Combination



Specifications for AC2010 5010 Air Combination

Type	AC2010-01(02)	AC3010-02(03)	AC4010-03(04,06)	
Working fluid	Air			
Port Size	1/8"(1/4")	1/4"(3/8")	3/8"(1/2",3/4")	
Filtration	5-25µm			
Adjustable pressure range	0.05-0.85Mpa			
Maximum working pressure	1Mpa			
Proof pressure	1.5Mpa			
Temperature Range	-5~60°C(Unforzen)			
Propositional lubrication	ISO VG32 or the same level lubrication			
Valve type	Relieving type			
Rated flow	500L/min	1700 L/min	3000 L/min	
Pressure gauge Port	1/8"		1/4"	
Materials	Body	Aluminum alloy		
	Bowl	Polycarbonate		
	Bowl Guard	—	Iron	
Component	Filter Regulator	AW2000	AW3000	AW4000
	Lubrication	AL2000	AL3000	AL 4000

Overall Dimension for AC2010 5010 Air Combination(mm)

Pneumatic equipment directory

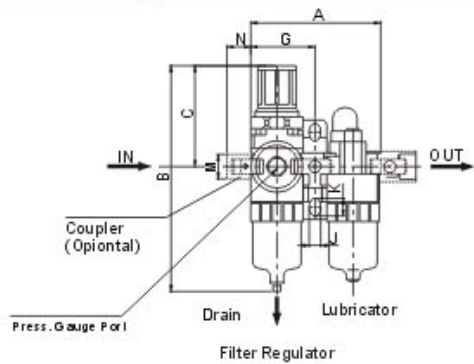
- [PEOPLE group](#)
- [Product introduction](#)
- [Pneumatic components](#)
- [Pneumatic valves](#)
- [Solenoid valve](#)
- [Pneumatic cylinders](#)
- [Air preparation](#)
- [Pneumatic Fittings](#)
- [Pneumatic accessories](#)
- [Pneumatic equipments](#)
- [Pneumatic parts](#)
- [Industry News](#)
- [Technical support](#)
- [Pneumatic standards](#)
- [Events](#)
- [Contact Us](#)

People website search

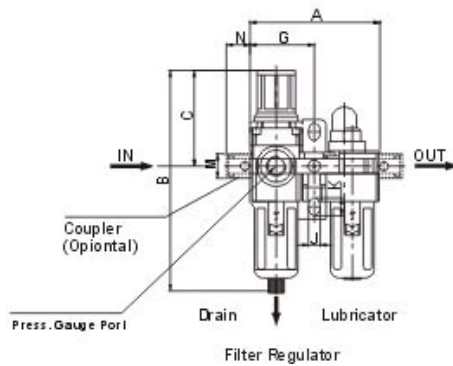
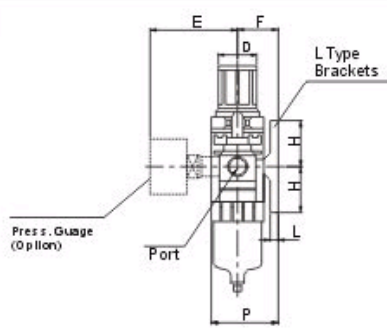
Pneumatic products

- [pneumatic component.com](#)
- [pe-p.com](#)

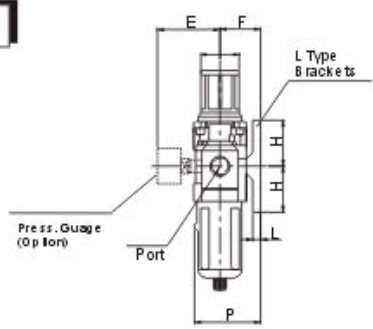
New products



AC2010



AC3010-4010



Type	AC 2010	AC 3010	AC 4010	AC 4010-06
Port	1/8" - 1/4"	1/4" - 3/8"	3/8" - 1/2"	3/4"
A	90	117	154	164
B	164.5	211	262.5	267
C	78	92.5	112	114
D	40	53	70	70
E	56.8	60.8	70.5	70.5
F	30	41	50	50
G	45	58.5	77	82
H	24	35	40	40
J	5.5	7	9	9
K	8.5	11	13	13
L	5	7	7	7
M	22	34.2	42.2	46.2
N	23	26	33	36
P	50	70.5	88	88

Tags: [Air preparation](#) [S Air Treatment Component](#)

[| Air preparation](#) [| TrackBack](#)

[« AW Filter Regulator](#)

[AC2000-5000 Air Combination »](#)

Related pneumatic products:

- [AC2000-5000 Air Combination](#)
- [Air preparation](#)