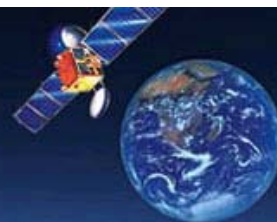


# China PEOPLE pneumatic component

Pneumatic valve , Solenoid valve , Pneumatic component , China Pneumatic, Cylinders



World Machine 500 / China Top 500 / China Famous Trademark / China Top Brand

- [PEOPLE Pneumatic](#)
- [Product](#)
- [Valves](#)
- [Cylinder](#)
- [Pneumatic Component](#)
- [Air Preparation](#)
- [Pneumatic accessories](#)
- [News](#)
- [Tech Support](#)
- [Contact Us](#)

## AL Series Lubricator

[S Series Air Treatment Component](#) > AL Series Lubricator



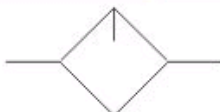
AL Series Lubricator's PDF file

### Order code for AL Series Lubricator



AL	3000	02
Model	Rated flow(L/min)	Port Size:
	2000:800	01:1/8 "
	3000:1700	02:1/4 "
	4000:5000(1/2")	03:3/8 "
	6300(3/4")	04:1/2 "
	5000:7000	06:3/4 "
		10:1 "

### Symbol for AL Series Lubricator



### Specifications for AL Series Lubricator

Type	AL2000-02	AL3000-02(03)	AL4000-03(04,06)	AL5000-06(10)
Working fluid	Air			
Port Size	1/4"	1/4"(3/8")	3/8"(1/2",3/4")	3/4"(1")
Temperature Range	-5~60°C			
Maximum working pressure	1Mpa			
Proof pressure	1.5Mpa			
Propositional lubrication	ISOVG32 or the same level lubrication			
Rated flow	800L/min	1700L/min	5000(6300) L/min	7000 L/min
Minimum flowRate for Charging	15 L/min	30(40) L/min	50 L/min	190 L/min
Capacity	25 cm <sup>3</sup>	50 cm <sup>3</sup>	130 cm <sup>3</sup>	
Materials	Body	Aluminum alloy		
	Bowl	Polycarbonate		
	Bowl Guard	Iron(AL2000无 N not for AL2000)		

### Construction for AL Series Lubricator

### Pneumatic equipment directory

- [PEOPLE group](#)
- [Product introduction](#)
- [Pneumatic components](#)
- [Pneumatic valves](#)
- [Solenoid valve](#)
- [Pneumatic cylinders](#)
- [Air preparation](#)
- [Pneumatic Fittings](#)
- [Pneumatic accessories](#)
- [Pneumatic equipments](#)
- [Pneumatic parts](#)
- [Industry News](#)
- [Technical support](#)
- [Pneumatic standards](#)
- [Events](#)
- [Contact Us](#)

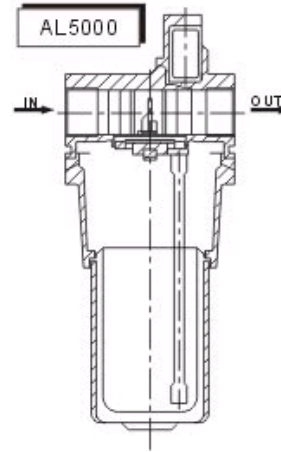
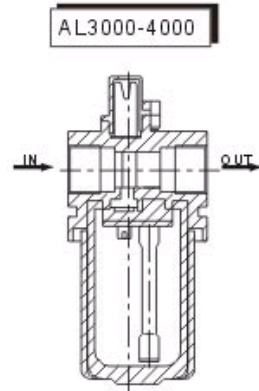
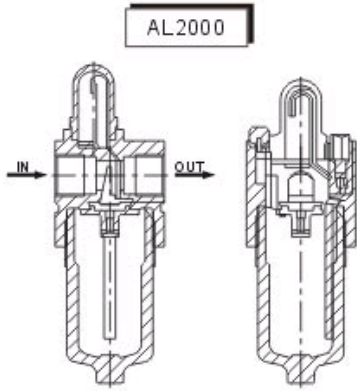
### People website search

### Pneumatic products

- [pneumatic component.com](#)
- [pe-p.com](#)

### New products

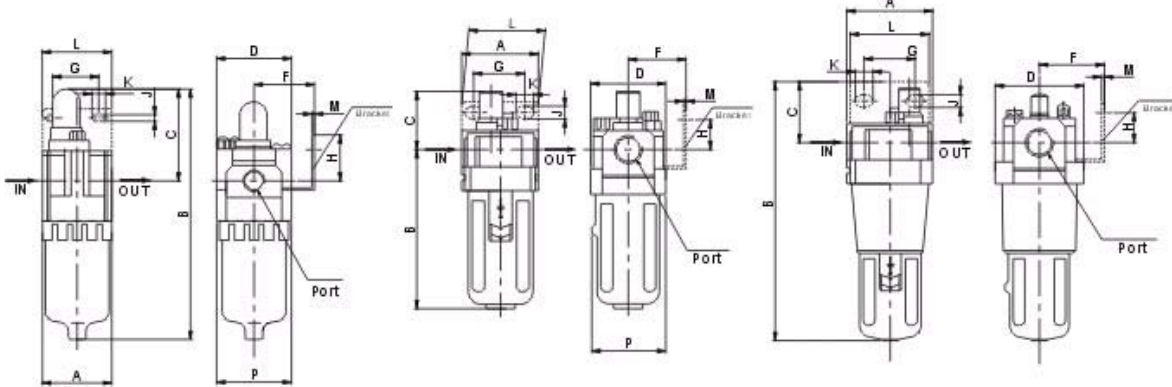


**Overall Dimension for AL Series Lubricator (mm)**

AL2000

AL3000-4000

AL5000



Type	Port	A	B	C	D	F	G	H	J	K	L	M	P
AL2000	1/4"	40	122	38	40	30	27	22	5.4	8.4	40	2.3	40
AL3000	1/4"-3/8"	53	142	38	53	41	40	23	6.5	8	53	2.3	56
AL4000	3/8"-1/2"	70	177	41	70	50	54	26	8.5	10.5	70	2.3	73
AL4000-06	3/4"	75	177	39	70	50	54	26	8.5	10.5	70	2.3	73
AL5000	3/4"-1"	90	254	45	90	70	66	35	11	13	90	3.2	90

Tags: [S Air Treatment Component](#)

[| Air preparation](#) | [TrackBack](#)

[« A Series Air Treatment Component](#)

[AR Series Regulator »](#)

Related pneumatic products:

- [AC2000-5000 Air Combination](#)
- [AC2010 5010 Air Combination](#)
- [AW Filter Regulator](#)
- [AF Series Filter](#)
- [AR Series Regulator](#)