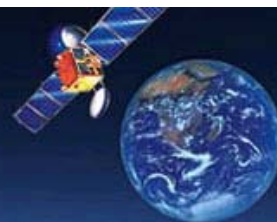


China PEOPLE pneumatic component

Pneumatic valve , Solenoid valve , Pneumatic component , China Pneumatic, Cylinders



World Machine 500 / China Top 500 / China Famous Trademark / China Top Brand

- [PEOPLE Pneumatic](#)
- [Product](#)
- [Valves](#)
- [Cylinder](#)
- [Pneumatic Component](#)
- [Air Preparation](#)
- [Pneumatic accessories](#)
- [News](#)
- [Tech Support](#)
- [Contact Us](#)

AR Series Regulator

[S Series Air Treatment Component](#) > AR Series Regulator



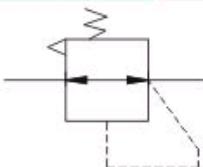
AR Series Regulator's PDF file

Order code for AR Series Regulator



AR	2000	-	01
Model	Rated Flow(L/min)		Port Size
	2000 : 550		01 : 1/8"
	2500 : 2000		02 : 1/4"
	3000 : 2500		03 : 3/8"
	4000 : 6000		04 : 1/2"
	5000 : 8000		06 : 3/4"
			10 : 1"

Symbol for AR Series Regulator



Specifications for AR Series Regulator

Type	AR2000-02	AR3000-02(03)	AR4000-04	AR5000-06(10)
Working Fluid	Clean air			
Port size	1/4"	1/4"(3/8")	1/2"	3/4"(1")
Regulating range	0.05~0.85Mpa			
Max.Pressure.	1.0Mpa			
ProofPressure.	1.5Mpa			
Working temperature range	-5~60°C(Unforzen)			
Valve type	Relieftype			
Rated flow	550L/min	2500L/min	6000L/min	8000L/min
Gauge port	1/8"		1/4"	
Material	Body	Aluminum alloy molding by die-casting		
	Valve cap	Enhanced nylon		Zine die casting
	Piece	Rubbler		

Construction for AR Series Regulator

Pneumatic equipment directory

- [PEOPLE group](#)
- [Product introduction](#)
- [Pneumatic components](#)
- [Pneumatic valves](#)
- [Solenoid valve](#)
- [Pneumatic cylinders](#)
- [Air preparation](#)
- [Pneumatic Fittings](#)
- [Pneumatic accessories](#)
- [Pneumatic equipments](#)
- [Pneumatic parts](#)
- [Industry News](#)
- [Technical support](#)
- [Pneumatic standards](#)
- [Events](#)
- [Contact Us](#)

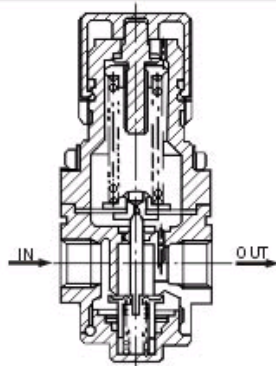
People website search

Pneumatic products

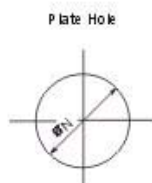
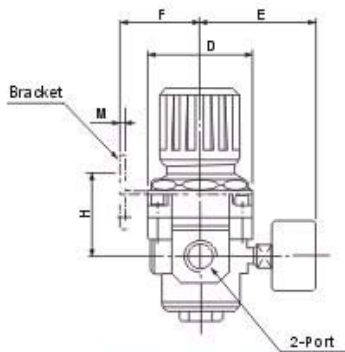
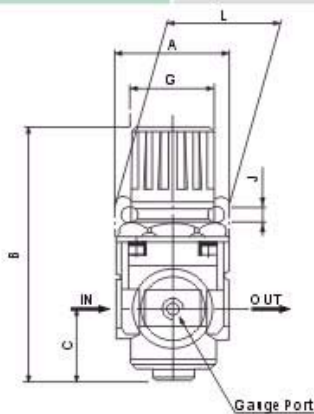
- [pneumatic component.com](#)
- [pe-p.com](#)

New products

AR2000-5000



Overall Dimension for AR Series Regulator (mm)



AR2000-3000 3.5 Max. Thick
AR4000-5000 5 Max. Thick

Model	Port size	A	C	D	E	F	G	H	J	J	L	M	N
AR2000-02	1/4"	40	17	40	56.8	30	34	45	5.4	5.4	55	2.3	33.5
AR2500-02	1/4"	53	25	48	60.8	30	34	44	5.4	5.4	55	2.3	42.5
AR 3000	1/4"-3/8"	53	35	53	60.8	41	40	46	6.5	6.5	53	2.3	42.5
AR4000-04	1/2"	70	37.5	70	65.5	50	54	54	8.5	8.5	70	2.3	52.5
AR 5000	3/4"-1"	90	48	90	75.5	70	66	65.8	11	11	90	3.2	52.5

Tags: [S Air Treatment Component](#)

[| Air preparation](#) | [TrackBack](#)

[« AL Series Lubricator](#)

[AF Series Filter »](#)

Related pneumatic products:

- [AC2000-5000 Air Combination](#)
- [AC2010 5010 Air Combination](#)
- [AW Filter Regulator](#)
- [AF Series Filter](#)