

China PEOPLE pneumatic component

Pneumatic valve , Solenoid valve , Pneumatic component , China Pneumatic, Cylinders

- [PEOPLE Pneumatic](#)
- [Product](#)
- [Valves](#)
- [Cylinder](#)
- [Pneumatic Component](#)
- [Air Preparation](#)
- [Pneumatic accessories](#)
- [News](#)
- [Tech Support](#)
- [Contact Us](#)

CJ2 Series Stainless Steel Mini Cylinder

[Cylinders](#) > [pneumatic cylinder](#) > [CJ2 Stainless Steel Mini Cylinder](#)

 [CJ2 Stainless Steel Mini Cylinder 's PDF file](#)

NAME: **CJ2 Series Stainless Steel Mini Cylinder**

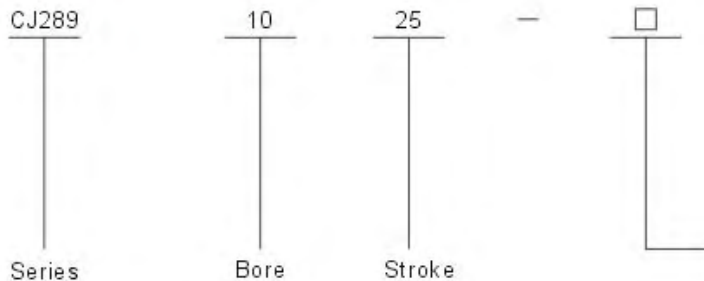
Action Type

- D: Double action
- S: single action
- T: single action

Bore: 10

Stroke :25

Order code for **CJ2 Stainless Steel Mini Cylinder**



Action Type
 D: Double Action
 S: Single Action (Pre-extend)
 T: Single Action (Pre-Shrink)

Stroke for CJ2 Series Stainless Steel Mini Cylinder

Bore (mm)	Standard Stroke	Port	Magnet Switch
6	15 20 25 30 35 40 45 50 55 60	M5×0.8	CS1-F CS1-U
10	15 20 25 30 35 40 45 50 55 60		
16	15 20 25 30 35 40 45 50 55 60 75 100 125		

Specifications for **CJ2 Stainless Steel Mini Cylinder**:

Pneumatic equipment directory

- [PEOPLE group](#)
- [Product introduction](#)
- [Pneumatic components](#)
- [Pneumatic valves](#)
- [Solenoid valve](#)
- [Pneumatic cylinders](#)
- [Air preparation](#)
- [Pneumatic Fittings](#)
- [Pneumatic accessories](#)
- [Pneumatic equipments](#)
- [Pneumatic parts](#)
- [Industry News](#)
- [Technical support](#)
- [Pneumatic standards](#)
- [Events](#)
- [Contact Us](#)

People website search

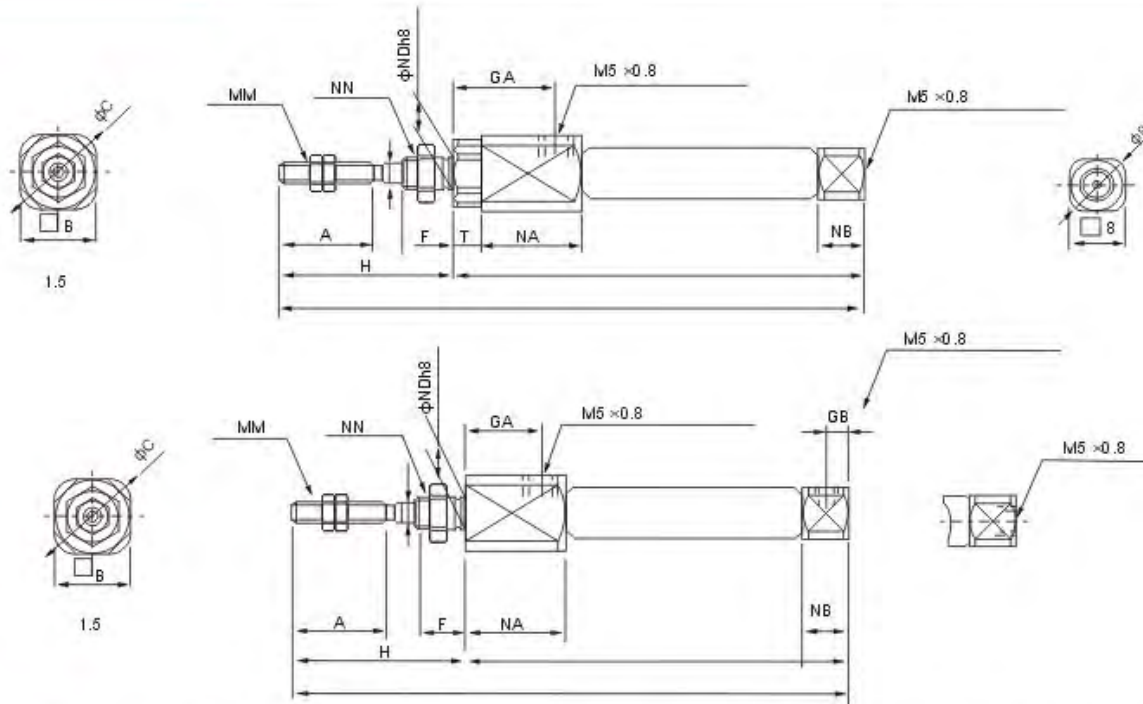
Pneumatic products

- [S Air Treatment Component](#)
- [A Air Treatment Component](#)

New products

Bore	6	10	16
Action mode	Double Action		
Working Medium	Air		
Pressure rang	0.1 0.7MPa		
Proof pressure	1.05 MPa		
Temperature rang	-5 70 °C		
Port size	Without cushion		

Dimensions for CJ2 Stainless Steel Mini Cylinders



Bore	A	B	C	D	F	GA	GB	H	MM	NA	NB	NDh8	NN	S	T	Z
6	15	12	14	3	8	14.5		28	M3×0.5	16	7	6	M6×1.0	49	3	77
10	15	12	14	4	8	8	5	28	M4×0.7	12.5	9.5	6	M8×1.0	46		74
16	15	18	20	5	8	8	5	28	M5×0.8	12.5	9.5	10	M10×1.0	47		75

Tags: [pneumatic cylinder](#)

[Pneumatic cylinders](#) | [TrackBack](#)

« [Cm2 Stainless Steel Mini Cylinder](#)

[CU Series Multi-Mounted Cylinder](#) »

✚ Related pneumatic products:

- [Cm2 Stainless Steel Mini Cylinder](#)
- [MA/MAC Series Stainless Steel Mini Cylinder](#)