

China PEOPLE pneumatic component

Pneumatic valve , Solenoid valve , Pneumatic component , China Pneumatic, Cylinders

- [PEOPLE Pneumatic](#)
- [Product](#)
- [Valves](#)
- [Cylinder](#)
- [Pneumatic Component](#)
- [Air Preparation](#)
- [Pneumatic accessories](#)
- [News](#)
- [Tech Support](#)
- [Contact Us](#)

CU Series Multi-Mounted Cylinder

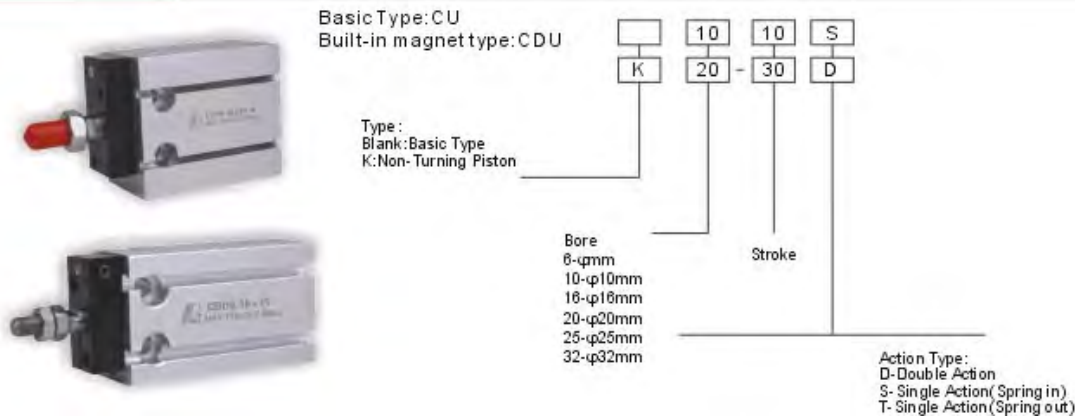
[Pneumatic cylinder](#) >> [Stainless Steel Mini Cylinder](#) > [CU Series Multi-Mounted Cylinder](#)

CU Series Multi-Mounted Cylinder



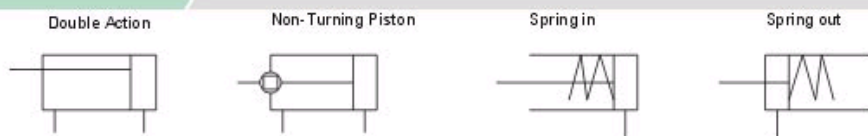
View technical date of CU Multi-Mounted Cylinder with PDF

Model Selection for CU Multi-Mounted Cylinder



Please use turbine No.1 oil ISOVG32 when lubrication is required.

Symbol for CU Series Multi-Mounted Cylinder



Specifications for CU Series Multi-Mounted Cylinder

Bore	6	10	16	20	25	32
Working Medium	Air					
Action mode	Double Action, Single Action					
Proof pressure	1.0Mpa					
Working pressure	0.1 0.7Mpa					
Working temperature	-5 60°C					
Cushion type	Two sides rubber cushion					
Stroke tolerance	+1.00					
Lubrication	not required					
Installation	Free style(multi sides)					
Port Size	M5×0.8					1/8

Stroke/Magnet Selection for CU Multi-Mounted Cylinder

Pneumatic equipment directory

- [PEOPLE group](#)
- [Product introduction](#)
- [Pneumatic components](#)
- [Pneumatic valves](#)
- [Solenoid valve](#)
- [Pneumatic cylinders](#)
- [Air preparation](#)
- [Pneumatic Fittings](#)
- [Pneumatic accessories](#)
- [Pneumatic equipments](#)
- [Pneumatic parts](#)
- [Industry News](#)
- [Technical support](#)
- [Pneumatic standards](#)
- [Events](#)
- [Contact Us](#)

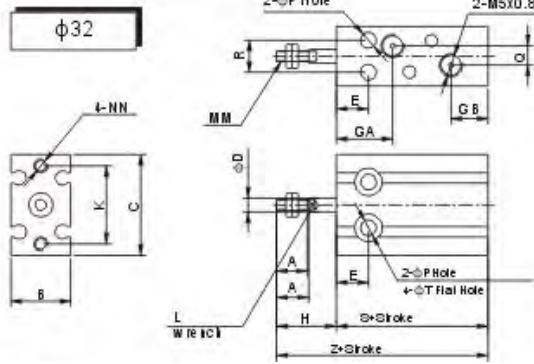
People website search

Pneumatic products

- [S Air Treatment Component](#)
- [A Air Treatment Component](#)

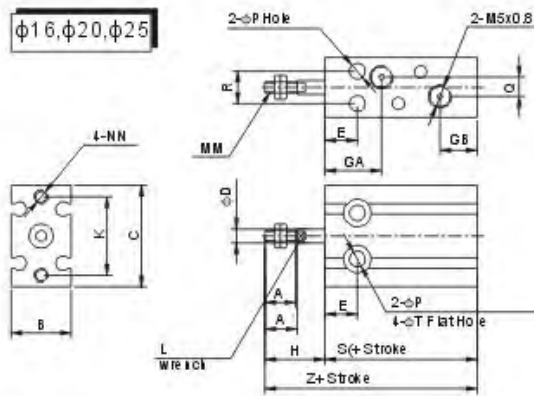
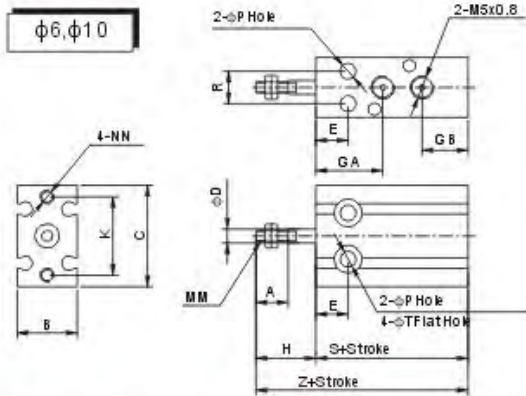
New products

Bore	Stroke		Magnet
	Double Action	Single Action	
6	5,10,15, 20,25,30	5, 10, 15	D-A90L
10			D-A93L
16			D-A96L
20	5,10,15,20, 25,30,40,50	5, 10, 15	D-A80L
25			D-F9NL
32			D-F9BL



Overall Dimension for CU Series Multi-Mounted Cylinder

basic type, built-in magnet
(Double action, single action spring in/out)



Type	A	A'	B	C	φD	E	GA	GB	J	K	L	MM	NN	φP	Q	R	φT
CφU6	7	-	13	22	3	7	14.5	10	10	17	-	M3x0.5	M3x0.5(dp.)5	3.4	-	7	6(dp.)4.8
CφU10	10	-	15	24	4	7	15.5	10	11	18	-	M4x0.7	M3x0.5(dp.)5	3.4	-	9	6(dp.)5
CφU16	11	12.5	20	32	6	7	16.5	11.5	14	25	5	M5x0.8	M4x0.7(dp.)6	4.5	4	12	7.6(dp.)6.5
CφU20	12	14	26	40	8	9	19	12.5	16	30	6	M6x1.0	M5x0.8(dp.)8	5.5	9	16	9.5(dp.)8
CφU25	15.5	18	32	50	10	10	21	13	20	38	8	M8x1.25	M5x0.8(dp.)8	5.5	9	20	9.5(dp.)9
CφU32	19.5	22	40	62	12	11	22	13	24	48	10	M10x1.25	M6x1.0(dp.)9	6.6	13.5	24	11(dp.)11.5

Double Action Type Dimension for CU Multi-Mounted Cylinder

Model	H	Basic Type		Built-in Magnet Type		
		S	Z	W	S'	Z'
CφU6-φD	13	33	46	2.5	33	46
CφU10-φD	16	36	52	1	36	52
CφU16-φD	16	30	46	0	40	56
CφU20-φD	19	36	55	1	46	65
CφU25-φD	23	40	63	-1	50	73
CφU32-φD	27	42	69	-4	52	79

Single Action Type(Spring in) Dimension

Model	H	Basic Type						Built-in Magnet Type						
		S			Z			W	S'			Z'		
		5st	10st	15st	5st	10st	15st		5st	10st	15st	5st	10st	15st
CφU6-φS	13	38	43	48	51	56	61	2.5	38	43	48	51	56	61
CφU10-φS	16	41	46	56	57	62	72	1	41	46	56	57	62	72
CφU16-φS	16	35	40	50	51	56	66	0	45	50	60	61	66	76
CφU20-φS	19	41	46	56	60	65	75	1	51	56	66	70	75	85
CφU25-φS	23	45	50	60	68	73	83	-1	55	60	70	78	83	93
CφU32-φS	27	47	52	62	74	79	89	-4	57	62	72	84	89	99

Single Action Type(Spring out) Dimension

Model	H			Basic Type						Built-in Magnet Type						
				S			Z			W	S'			Z'		
	5st	10st	15st	5st	10st	15st	5st	10st	15st		5st	10st	15st	5st	10st	15st
CφU6-φD	18	23	28	38	43	48	56	66	76	2.5	38	43	48	56	66	76
CφU10-φD	21	26	31	41	46	56	62	72	87	1	41	46	56	62	72	87
CφU16-φD	21	26	31	45	50	60	66	76	91	0	45	50	60	66	76	91
CφU20-φD	24	29	34	41	46	56	65	75	90	1	51	56	66	75	85	100
CφU25-φD	28	33	38	45	50	60	73	83	98	-1	55	60	70	83	93	108
CφU32-φD	32	37	42	47	52	62	79	89	104	-4	57	62	72	89	99	114

How to order(Example)

- 1) Model: CUK6-10D Bore stroke: 10, double action, non-turning piston type
- 2) Model: CDU25-25s BORE: 25 STROKE: 25, DOUBLE ACTION, BUILT-IN MAGNET

Tags: [pneumatic cylinder](#)

[Pneumatic cylinders](#) | [TrackBack](#)

[« CJ2 Series Stainless Steel Mini Cylinder](#)

[PEOPLE honor »](#)

Related pneumatic products:

- [CJ2 Series Stainless Steel Mini Cylinder](#)
- [Cm2 Stainless Steel Mini Cylinder](#)
- [MA/MAC Series Stainless Steel Mini Cylinder](#)

[About us](#) | [Sitemap](#) | [Copyright](#) | [Help](#) | [Cooperate](#) | [Down](#) | [Guestbook](#) | [Contact us:INFO@PneumaticPart.com](#)

Copyright 2007 **China PEOPLE pneumatic equipment Co., Ltd** Some Rights Reserved.