



MAL Aluminum Alloy Mini Cylinder

Please contact INFO@PneumaticPart.com

[Pneumatic cylinder](#) >> [Mini Cylinder](#) > [MAL Aluminum Alloy Mini Cylinder](#)



View technical date of MAL Aluminum Alloy Mini Cylinder with PDF

Characteristics:

Freelubrication

Adapt the bearing with oil, lubrication is not required for the piston rod.

High viability

For main parts such as both end covers, cylinder tube with oxidation treatment. This increasae corrosion and impact resistance.

Heat resistance performance

With anti-heat material, the working temperature of the cylinder could be up to 150 °C

Multi Installation Method

Multi installation accessories are available

Order code for MAL Aluminum Alloy Mini Cylinder



Symbol for MAL Aluminum Alloy Mini Cylinder



Specifications for MAL Aluminum Alloy Mini Cylinder

Bore	16	20	25	32	40
Action Type	Double Action Type				
Working Fluid	Air				
Mounting Type	Basis type LB type FA type SDB type				
Working Pressure(MPa)	0.1-0.9				
ProofWorking(MPa)	1.35				
Working temperature(°C)	-5~70				
Working speed range(mm/s)	30-800				
Port Size	M5 × 0.8	1/8 "		1/4 "	

Stroke for MAL Aluminum Alloy Mini Cylinder

(mm)	Standard Stroke	Max.Stroke	Stroke Tolerance
16	25 50 75 100 125 150 175 200 250 300	400	600
20	25 50 75 100 125 150 175 200 250 300	500	800
25	25 50 75 100 125 150 175 200 250 300 400 450 500	800	1200
32	25 50 75 100 125 150 175 200 250 300 400 450 500	800	1200
40	25 50 75 100 125 150 175 200 250 300 400 450 500	1200	1500

Pneumatic equipment directory

- [PEOPLE group](#)
- [Product introduction](#)
- [Pneumatic components](#)
- [Pneumatic valves](#)
- [Solenoid valve](#)
- [Pneumatic cylinders](#)
- [Air preparation](#)
- [Pneumatic Fittings](#)
- [Pneumatic accessories](#)
- [Pneumatic equipments](#)
- [Pneumatic parts](#)
- [Industry News](#)
- [Technical support](#)
- [Pneumatic standards](#)
- [Events](#)
- [Contact Us](#)

People website search

Pneumatic products

- [S Air Treatment Component](#)
- [A Air Treatment Component](#)

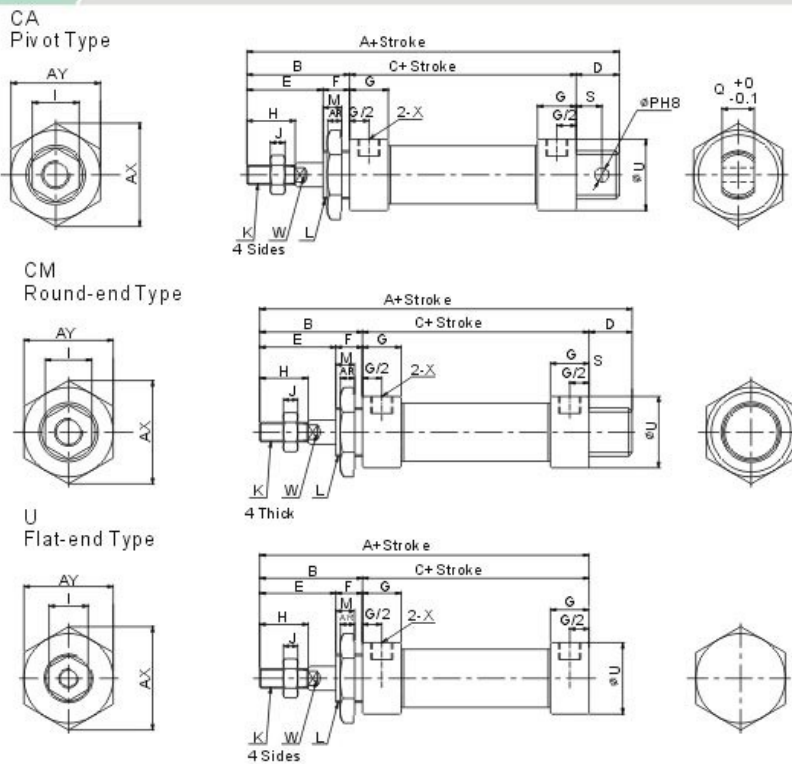
New products

How to order(Example)

1) Model: MAL-CA 25X100-TC Standard double action aluminum alloy mini cylinder with magnet Bore: 25mm stroke: 100mm Back cap type: CA Mounting Style: SDB

2) Model: MAL-U40X200 Standard double action aluminum alloy mini cylinder without magnet bore: 40mm Stroke: 200mm Back Cap Type: Flat-end Type

Overall Dimension for MAL Aluminum Alloy Mini Cylinder



Bore	A	A1	A2	B	C	D	D1	E	F	G	H	I	J	K
12	107	107	91	38	53	16	16	16	16	10	16	9	4	M5 × 0.8
16	104	100	88	34	54	16	12	12	12	10	16	10	5	M6 × 1
20	131	122	110	40	70	21	12	12	12	16	20	12	6	M8 × 1.25
25	135	128	114	44	70	21	14	14	14	16	22	17	6	M10 × 1.25
32	141	128	114	44	70	27	14	14	14	16	22	17	6	M10 × 1.25
40	165	152	138	46	92	27	14	14	14	22	24	17	7	M12 × 1.25
50	174	167	147	52	95	27	20	20	20	22	24	19	8	M14 × 1.5
63	174	167	147	52	95	27	20	20	20	22	24	19	8	M14 × 1.5

Bore	L	M	P	Q	R	R1	S	U	V	W	X	AR	AX	AY
12	M16 × 1.5	14	6	12	14	15	9	19	6	5	M5 × 0.8	6	25	22
16	M16 × 1.5	14	6	12	14	10	9	23	6	5	M5 × 0.8	6	25	22
20	M22 × 1.5	10	8	16	19	12	12	29	8	6	1/8"	7	33	29
25	M22 × 1.5	12	8	16	19	14	12	34	10	8	1/8"	7	33	29
32	M24 × 2.0	12	10	16	25	14	15	39.5	12	10	1/8"	8	37	32
40	M30 × 2.0	12	12	20	25	14	15	49.5	16	14	1/4"	9	47	41
50	M36 × 2.0	16	12	20	24	19	16	55.5	16	14	1/4"	11	53	46
63	M36 × 2.0	16	12	20	24	19	16	69.5	16	14	1/4"	11	53	46

Tags: cylinder Mini Cylinder

[Pneumatic cylinders](#) | [TrackBack](#)

« [SC/SU Series Standard Cylinder](#)

[SDA Series Compact Cylinder](#) »

- Related pneumatic products:
 - [CQ2 Series Compact Cylinder](#)
 - [SDA Series Compact Cylinder](#)
 - [SC/SU Series Standard Cylinder](#)
 - [pneumatic cylinders](#)