



PEOPLE SDA Series Compact Cylinder

Please contact INFO@PneumaticPart.com

[Pneumatic cylinder](#) >> [Compact Cylinder](#) > [SDA Series Compact Cylinder](#)



View technical date of SDA Series Compact Cylinder with PDF

SDA compact pneumatic cylinders are manufactured according to Asia standard, with bore size from 12mm to 100mm. The cylinder end covers and piston are CNC machined, and important seals are from Japan, to guarantee the pneumatic cylinder work stably and safely.

Characteristics:

Thin and light

1/2-1/3 length of cylinder design(compare to [standard cylinder](#)), compact axial length

Easy installation

For mounting style, embedded and panel mount types are available. For rod end form, male thread and female thread are available.

Easy service

service and maintenance.

Magnet switch

There is fixed position outside the [cylinder](#) for magnet installation, easy to setup and adjust the magnet.

*Similar to SMC appearance

*Compact body and light-weighted.

*Suitable slot on the [cylinder](#) barrel to make it easy for magnetic sensor to fit on.

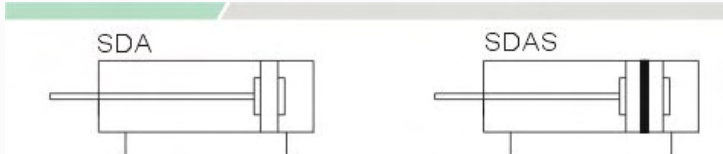
*With self-lubricating bearing, the piston rod is lubrication free.

*Magnet is optional.

Order code for SDA Series Compact Cylinder



Symbol for SDA Series Compact Cylinder



Specifications for SDA Series Compact Cylinder

(mm)	Bore	12	16	20	25	32	40	50	63	80	100
Action model		Double Action									
Working Fluid		Air									
MPa Working Pressure MPa		0.1-0.9					0.2-0.9				
MPa Proof Working MPa		1.35									

Pneumatic equipment directory

- [PEOPLE group](#)
- [Product introduction](#)
- [Pneumatic components](#)
- [Pneumatic valves](#)
- [Solenoid valve](#)
- [Pneumatic cylinders](#)
- [Air preparation](#)
- [Pneumatic Fittings](#)
- [Pneumatic accessories](#)
- [Pneumatic equipments](#)
- [Pneumatic parts](#)
- [Industry News](#)
- [Technical support](#)
- [Pneumatic standards](#)
- [Events](#)
- [Contact Us](#)

People website search

Pneumatic products

- [S Air Treatment Component](#)
- [A Air Treatment Component](#)

New products

Working temperature °C	-5~70				
Mm/s Working speed range	Double action	30-500		30-350	30-250
	Signal action	100-500			
Cushion Type	Fixed cushion				
Port Size	M5 × 0.8	1/8 "	1/4 "	3/8 "	

Stroke for SDA Series Compact Cylinder

(mm) Bore	12 16	20	25		32 40 50	63 80 100
Double Action	without magnet 5-60mm 5mm 1 Each	5-85mm 5mm 1 Each	5-90mm 5mm 1 Each	100-110mm 10mm 1 Each	5-90mm 5mm 1 Each	100-130mm 10mm 1 Each
	with magnet 5-50mm 5mm 1 Each	5-75mm 5mm 1 Each	5-90mm 5mm 1 Each	100mm	5-90mm 5mm 1 Each	100-120mm 10mm 1 Each
Single Action	without magnet 5-30mm 5mm 1 Each	5-30mm 5mm 1 Each	5-30mm 5mm 1 Each		5-30mm 15mm 1 Each	-
	with magnet 5-30mm 5mm 1 Each	5-30mm 5mm 1 Each	5-30mm 5mm 1 Each		5-30mm 15mm 1 Each	-
Max.stroke	60mm	100mm	120mm		130mm	

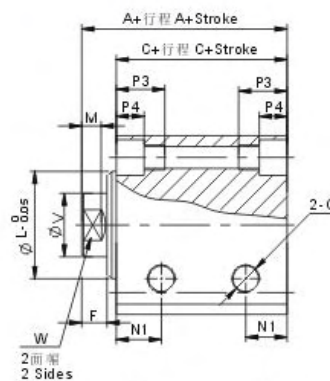
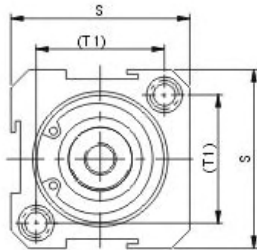
How to order(Example)

Model: SDAS-63X20-B Double action/compact cylinders with magnet Bore: 63mm Stroke:20mm Rod end style

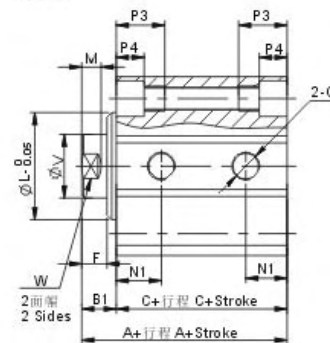
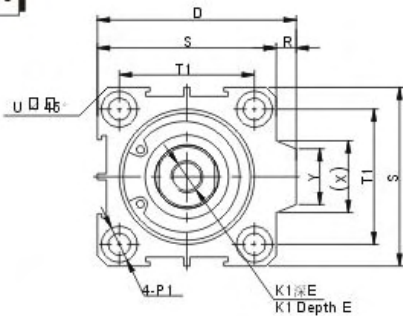
Overall Dimension for SDA Series Compact Cylinder

SDASDAS Series

Φ 12-Φ 16



Φ 20-Φ 100



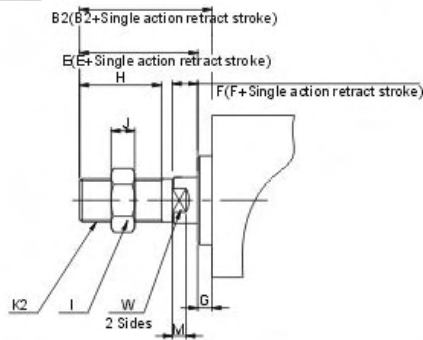
Type	Standard			With magnet				E		F	G	K1	L	M	N1
	A	B1	C	A	B1	C	D	≤10 Stroke ≤10	>10 Stroke >10						
12	22	5	17	32	5	27	-	6		4	1	M3 × 0.5	10.2	3	6.5
16	24	5.5	18.5	34	5.5	28.5	-	6		4	1.5	M3 × 0.5	11	3	7.2
20	25	5.5	19.5	35	5.5	29.5	36	8		4	1.5	M4 × 0.7	16	3	7.5
25	27	6	21	37	6	31	42	10		4	2	M5 × 0.8	17	3	8
32	31.5	7	24.5	41.5	7	34.5	50	12		4	3	M6 × 1	22	3	9
40	33	7	26	43	7	36	58.5	12		4	3	M8 × 1.25	28	3	10
50	37	9	28	47	9	38	71.5	15		5	4	M10 × 1.5	38	4	10
63	41	9	32	51	9	42	84.5	15		5	4	M10 × 1.5	40	4	11.5
80	52	11	41	62	11	51	104	15	20	6	5	M14 × 1.5	45	4	13
100	63	12	51	73	12	61	124	18	20	7	5	M18 × 1.5	55	4	16

Bore	N3	D		P1		P3	P4	R	S	T1	T2	U	V	W	X	Y
				side: □	M5Hole: □											
12	6	M5 × 0.8	Double	side: □6.5	M5Hole: □4.2	12	4.5	-	25	16.2	23	1.6	6	5	-	-
16	6.5	M5 × 0.8	Double	side: □6.5	M5Hole: □4.2	12	4.5	-	29	19.8	28	1.6	6	5	-	-
20	-	M5 × 0.8	Double	side: □6.5	M5Hole: □4.2	14	4.5	2	34	24	-	2.1	8	6	11.3	10
25	-	M5 × 0.8	Double	side: □8.2	M6Hole: □4.6	15	5.5	2	40	28	-	3.1	10	8	12	10
32	-	1/8 "	Double	side: □8.2	M6Hole: □4.6	16	5.5	6	44	34	-	2.15	12	10	18.3	15
40	-	1/8 "	Double	side: □10	M8Hole: □6.5	20	7.5	6.5	52	40	-	2.25	16	14	21.3	16
50	-	1/4 "	Double	side: □11	M8Hole: □6.5	25	8.5	9.5	62	48	-	4.15	20	17	30	20
63	-	1/4 "	Double	side: □11	M8Hole: □6.5	25	8.5	9.5	75	60	-	3.15	20	17	28.7	20

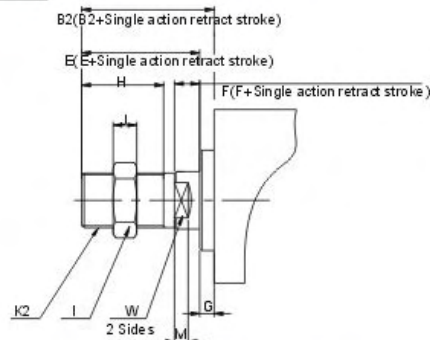
80	-	3/8"	Double	side: □14	M12Hole: □9.2	25	10.5	10	94	74	-	3.65	25	22	36	26
100	-	3/8"	Double	side: □17.5	M14Hole: □11.3	30	13	10	114	90	-	3.65	32	27	35	26

Thread Dimension for SDA Series Compact Cylinder

φ12-φ16



φ20-φ100



Bore	B2	E	F	G	H	I	J	K2	L	M	V	W
12	17	16	4	1	10	8	4	M5 × 0.8	10.2	3	6	5
16	17.5	16	4	1.5	10	8	4	M5 × 0.8	11	3	6	5
20	20.5	19	4	1.5	13	10	5	M6 × 1.0	16	3	8	6
25	23	21	4	2	15	12	6	M8 × 1.25	17	3	10	8
32	25	22	4	3	15	17	6	M10 × 1.25	22	3	12	10
40	35	32	4	3	25	19	8	M14 × 1.5	28	3	16	14
50	37	33	5	4	25	27	11	M18 × 1.5	38	4	20	17
63	37	33	5	4	25	27	11	M18 × 1.5	40	4	20	17
80	44	39	6	5	30	32	13	M22 × 1.5	45	4	25	22
100	50	45	7	5	35	36	13	M26 × 1.5	55	4	32	27

Compact cylinder features:

SQ series are with similar SMC appearance, and SDA series are popular in Asia market.

Compact body and light-weighted.

Suitable slot on the cylinder barrel to make it easy for magnetic sensor to fit on.

With self-lubricating bearing, the piston rod is lubrication free.

Magnet is optional.

Keywords: pneumatic cylinder;compact cylinder;SDA cylinder;Thin type cylinder;standard cylinder

Tags: cylinder

[Pneumatic cylinders](#) | [TrackBack](#)

« [MAL Aluminum Alloy Mini Cylinder](#)

[Pneumatic Components Sitemap](#) »

Related pneumatic products:

[CQ2 Series Compact Cylinder](#)

[pneumatic cylinders](#)

[About us](#) | [Sitemap](#) | [Copyright](#) | [Help](#) | [Cooperate](#) | [Down](#) | [Guestbook](#) | [Contact us:INFO@PneumaticPart.com](#)

Copyright 2007 China PEOPLE pneumatic equipment Co., Ltd Some Rights Reserved.