



## 4A300 Series Air Operated Valve

Please contact [INFO@PneumaticPart.com](mailto:INFO@PneumaticPart.com)

[Pneumatic valves](#) > [Air Valve](#) > [Air Operated Valve](#)



4A300 Series Air Operated Valve 's PDF file

Specification: 4A:5 prots 2 positions air valve

Series Code: 300 Series

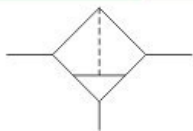
Protand Postion: 30C/30E/30P

Double Ports and three positions/center closed

Port Size: 0.6:1/8" 08:1/4" 10:3/8"

### Order code for 4A300 Air Operated Valve

### Symbol for 4A300 Air Operated Valve



### Specifications for 4A300 Air Operated Valve :

Model	4A130C-06	4A230C-08	4A330C-10	4A430C-15
	4A130E-06	4A230E-08	4A330E-10	4A430E-15
	4A130P-06	4A230P-08	4A330P-10	4A430P-15
Position number	5Ports 3 positions			
Effective sectional area	9mm <sup>2</sup> (CV=0.5)	16mm <sup>2</sup> (CV=0.67)	30mm <sup>2</sup> (CV=1.00)	50mm <sup>2</sup> (CV=1.67)
Port size	1/8"	In=Out=1/4" Exhaust port=1/8"	In=Out=3/8" Exhaust port=1/4"	1/2"
Medium	Clean Air			
Action Style	Exterior control			
Working pressure range	0.15-0.8MPa			
Proof pressure	1.2MPa			
Ambient temperature	-5□ ~ 50□			
Frequency	5/s			

### Pneumatic equipment directory

- [PEOPLE group](#)
- [Product introduction](#)
- [Pneumatic components](#)
- [Pneumatic valves](#)
- [Solenoid valve](#)
- [Pneumatic cylinders](#)
- [Air preparation](#)
- [Pneumatic Fittings](#)
- [Pneumatic accessories](#)
- [Pneumatic equipments](#)
- [Pneumatic parts](#)
- [Industry News](#)
- [Technical support](#)
- [Pneumatic standards](#)
- [Events](#)
- [Contact Us](#)

### People website search

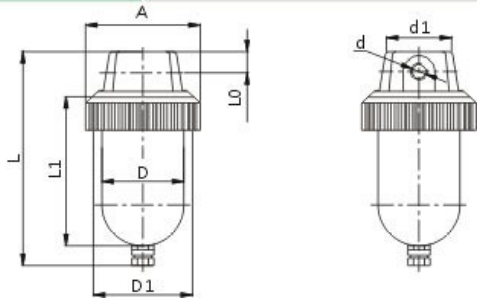
 

### Pneumatic products

- [S Air Treatment Component](#)
- [A Air Treatment Component](#)

### New products

Overall Dimensions(mm):



Tags: [air operated valve](#)

[Pneumatic valves](#) | [TrackBack](#)

[« Oil Tuble](#)

[Cm2 Stainless Steel Mini Cylinder »](#)

Related pneumatic products:

[Air Operated Valve](#)

[About us](#) | [Sitemap](#) | [Copyright](#) | [Help](#) | [Cooperate](#) | [Down](#) | [Guestbook](#) | [Contact us:INFO@PneumaticPart.com](#)

Copyright 2007 **China PEOPLE pneumatic equipment Co., Ltd** Some Rights Reserved.